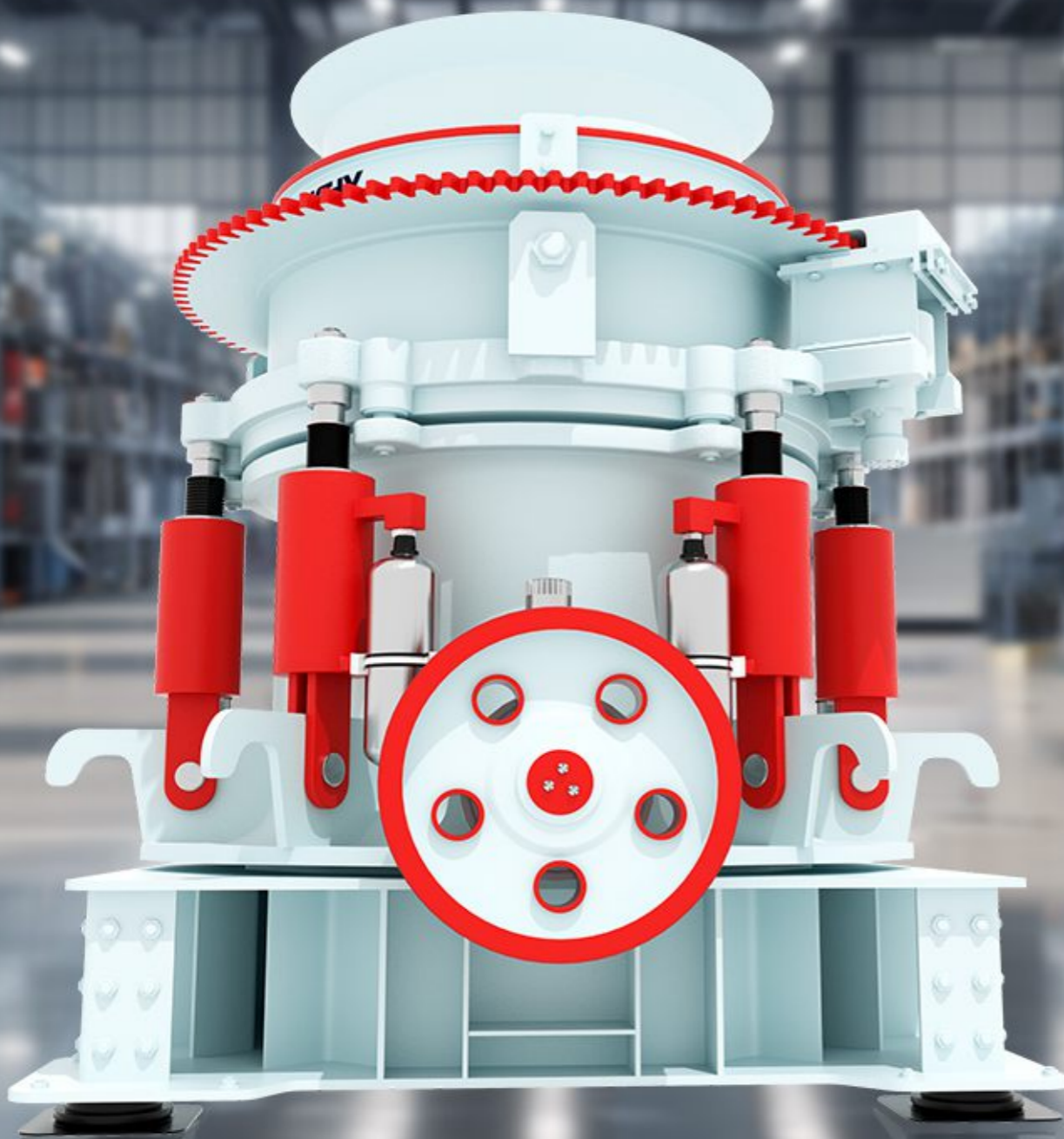


# HYDRAULIC CONE CRUSHER

## 多缸液压圆锥破碎机



## PRODUCT INTRODUCTION

### 产品简介

Hp系列多缸液压圆锥破碎机是在近三十年的破碎机研发经验基础上，结合国内外先进技术，经过几代产品的研发和应用，推出的新一代高效液压圆锥破碎机，适用于所有要求严格的采石、采矿和隧道施工应用。多年来，它们已成为世界上最受欢迎的现代圆锥破碎机。

HP series multi-cylinder hydraulic cone crushers are a new generation of high-efficiency hydraulic cone crushers launched on the basis of nearly three decades of crusher research and development experience, combined with advanced domestic and foreign technologies, and after several generations of product development and application. They are suitable for all demanding quarrying, mining and tunnel construction applications. Over the years, they have become the most popular modern cone crushers in the world.

## PRODUCT ADVANTAGEA

### 产品优势

**优势一** 液压圆锥破采用先进的PLC电气系统，可连续监测破碎机并提供报警，显示运行参数，操作员可以实时了解破碎机运行情况，进而简化生产线操作，降低操作风险，提高破碎生产线安全性能。

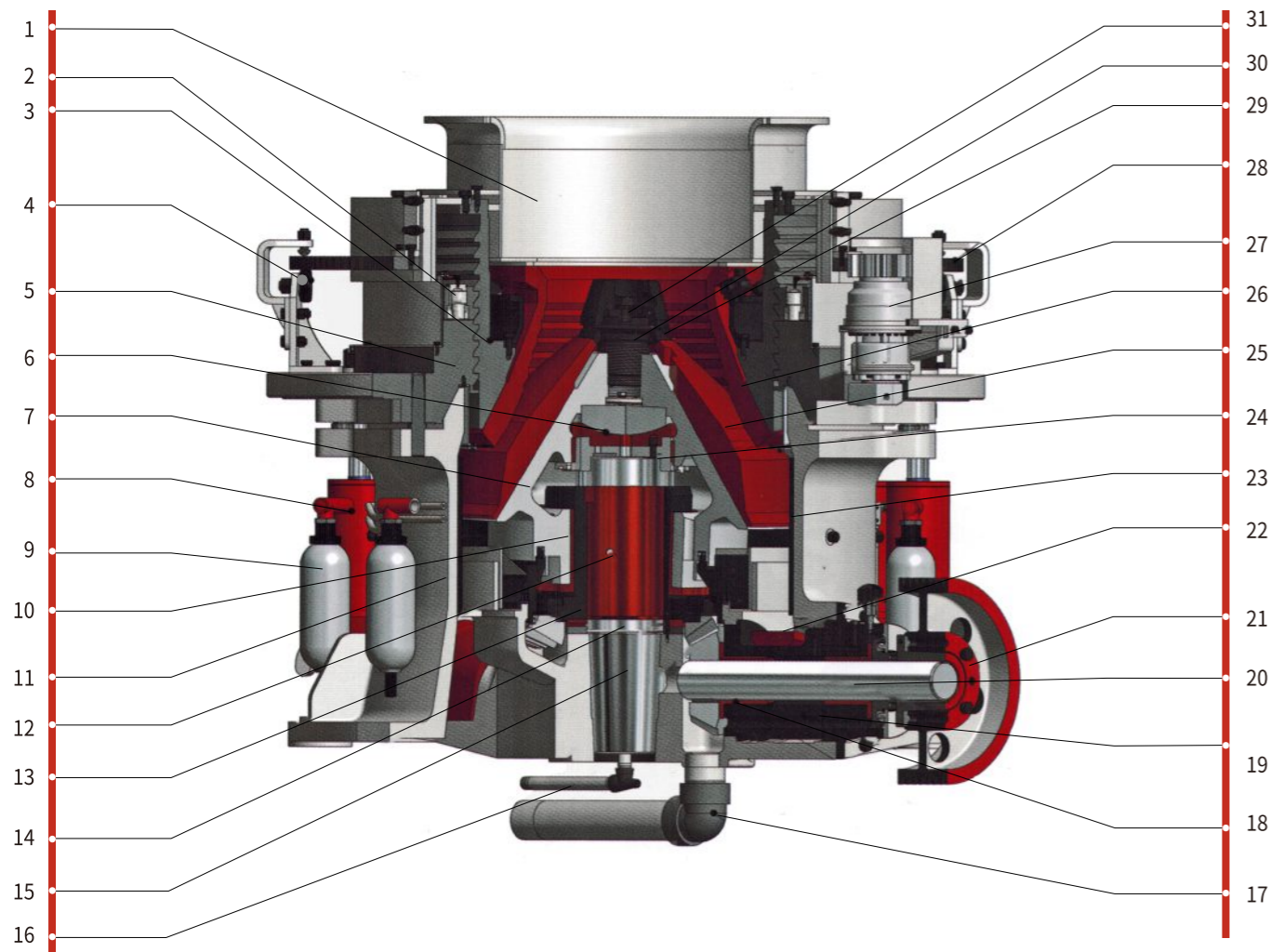
The hydraulic cone crusher adopts advanced PLC intelligent electrical system, which can continuously monitor the crusher and provide alarms, display operating parameters, and the operator can understand the operation of the crusher in real time, thereby simplifying the production line operation, reducing operating risks, and improving the safety performance of the crushing production line.

**优势二** Hp液压圆锥破碎机利用层压破碎原理对物料进行破碎，破碎效率高，易损件磨损低；破碎后成品呈立方体，细粒级含量高，可以很好的满足高品质骨料的使用需求。

HP hydraulic cone crusher uses the principle of laminated crushing to crush materials, with high crushing efficiency and low wear of vulnerable parts; the finished product after crushing is cubic and has a high fine particle content, which can well meet the use requirements of high-quality aggregates.

**优势三** 增设接触式球面浮动密封，保证润滑油更清洁，设备运行更稳定。

Add contact spherical floating seal to ensure cleaner lubricating oil and more stable equipment operation.



- |                                 |                                |
|---------------------------------|--------------------------------|
| 1 给料仓 Feeding Hopper            | 16 润滑油回油管 Oil Outlet Pipe      |
| 2 锁紧油缸 Adjustment Ring Cylinder | 18 传动轴衬套 Driving Shaft Bushing |
| 3 调整环 Adjustment Ring           | 19 传动轴架 Shaft Frame            |
| 4 齿圈托架 Pulley Wheel             | 20 传动轴 Transmission Shaft      |
| 5 支撑环 Support Ring              | 21 主机带轮 Pulley Wheel           |
| 6 球面轴承 Spherical Bearing        | 22 护板 Protecting Plate         |
| 7 躯体 Body                       | 23 护圈 Protecting Ring          |
| 8 保险油缸 Hydraulic Cylinder       | 24 轴瓦座 Bearing Seat            |
| 9 蓄能器 Accumulator               | 25 破碎壁 Mantle                  |
| 10 躯体衬套 Body Bushing            | 26 轧臼壁 Concave                 |
| 11 机架 Bracket                   | 27 液压马达 Hydraulic Motor        |
| 12 主轴衬套 Main Shaft Bushing      | 28 齿轮 Gear                     |
| 13 偏心套 Eccentric Bushing        | 29 压套 Pressing Sleeve          |
| 14 平衡圈 Balance Ring             | 30 压帽 Pressing Cap             |
| 15 主轴 Main Shaft                | 31 锥头 Cone Head                |

# WORKING PRINCIPLE

圆锥破碎机广泛应用于采矿业，通过挤压坚硬且磨蚀性强的材料来破碎它们，从而产生更精细、更均匀的产品。当材料进入破碎室时，主轴带动破碎壁做圆周运动，使材料被挤压在轧臼壁上。物料的大小通过调节破碎壁和轧臼壁之间的间隙来控制，从而允许破碎各种尺寸的材料。

Cone crushers are widely used in the mining industries to crush hard and abrasive materials by compressing them creating a finer and more uniform products. As the material enters the crushing chamber, the mantle moves in a circular motion, causing the material to be crushed against the bowl. The size of the output is controlled by adjusting the gap between the mantle and the bowl, allowing for various sizes of crushed material.



# TECHNICAL PARAMETER

## 技术参数

型号 Model	破碎腔型 Cavity	标准型 Standard		短头型 Shorthead		生产能力 Capacity (t/h)	功率 Power (kw)
		进料口尺寸 Feed Opening Size (mm)	开口边 Outlet Setting Size (mm)	进料口尺寸 Feed Opening Size (mm)	开口边 Outlet Setting Size (mm)		
HP200	粗型 Coarse	185	19	76	10	145-250	160
	中型 Medium	125	17	54	6	135-235	
	细型 Fine	95	13	23	6	115-220	
	超细 Ultrafine	75	10	10	5	90-190	
HP300	粗型 Coarse	210	20	75	10	190-380	220
	中型 Medium	150	15	50	8	175-320	
	细型 Fine	105	10	20	6	145-280	
	超细 Ultrafine	80	10	20	6	110-240	
HP400	粗型 Coarse	250	25	90	10	285-560	280
	中型 Medium	195	20	50	8	250-490	
	细型 Fine	110	14	40	6	180-345	
	超细 Ultrafine	90	10	30	6	135-320	
HP500	粗型 Coarse	285	25	90	13	400-790	355
	中型 Medium	200	20	55	10	335-610	
	细型 Fine	133	16	40	8	280-460	
	超细 Ultrafine	95	13	35	6	180-435	
HP800	粗型 Coarse	297	32	155	13	425-1200	450
	中型 Medium	267	25	92	10	335-730	
	细型 Fine	219	16	33	8	260-500	

注：技术参数如有变动，恕不另行通知。

Note: Any changes of technical parameters, there is no further notice.



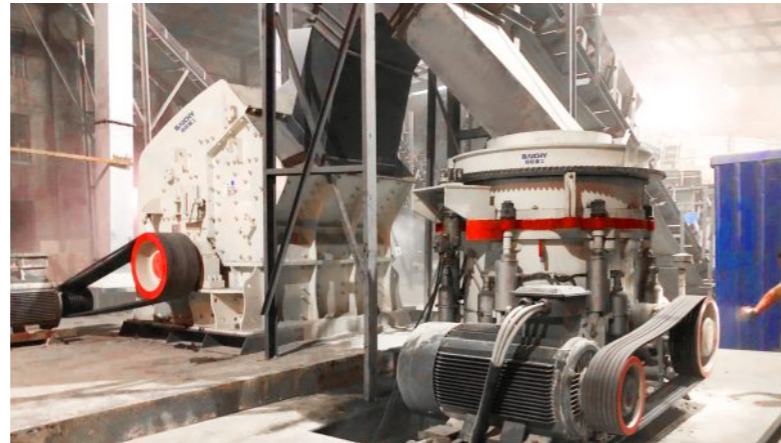
# CUSTOMER WORKSITE

## 客户现场

专注矿山机械二十年，佰辰重工为上千家客户提供了专业项目指导、设备生产、生产线建设及管理运营等产品服务,与他们共同证明中国矿机品牌的力量。

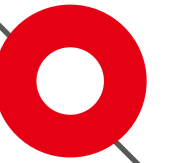
Focusing on mining machinery for 20 years, Baichy has provided professional project guidance, equipment production, production line construction, management and operation products and services to thousands of customers, and jointly proved with them the power of China's mining machinery brand.

# BAICHY



## 出口超150+个国家

BAICHY exports to more than 150 countries



- |                               |  |                          |
|-------------------------------|--|--------------------------|
| Mobile Crusher Plant          | Two-stage Crusher                      | DMC Pulse Dust Collector |
| <b>Jaw Crusher</b>            | Vertical Compound Crusher              | Powder Classifier        |
| C Series Jaw Crusher          | Reversible Hammer Crusher              | Bucket Elevator          |
| PEX Fine Jaw Crusher          | Hammer Crusher                         | Vibrating Feeder         |
| Impact Crusher                | Dewatering Screen                      | Screw Conveyor           |
| CI Series Impact Crusher      | Linear Vibrating Screen                | Three-cylinder Dryer     |
| Symons Cone Crusher           | Wheel Sand Washing Machine             | Single Cylinder Dryer    |
| Spring Cone Crusher           | Screw Sand Washer                      | Flotation Machine        |
| <b>Hydraulic Cone Crusher</b> | Sand Recycling Machine                 | Spiral Classifier        |
| CH Cone Crusher               | Raymond Mill                           | Gold Concentrator        |
| Heavy Hammer Crusher          | <b>YGM High Pressure Grinding Mill</b> | Magnetic Separator       |
| Small Jaw Crusher             | MTW Trapezium Grinding Mill            | Agitator                 |
| Vibrating Feeder              | Vertical Roller Mill                   | Wet Pan Mill             |
| Belt Conveyor                 | HGM Micro-powder Grinding Mill         | Shaking Table            |
| YK Vibrating Screen           | <b>Ball Mill</b>                       | Spiral Chute             |
| Trommel Screen                | Cement Ball Mill                       |                          |
| Vertical Shaft Impact Crusher | Ceramic Ball mill                      |                          |
| High-efficiency Fine Crusher  | Three-cylinder Dryer                   |                          |
| Double Roller Crusher         | Single Cylinder Dryer                  |                          |